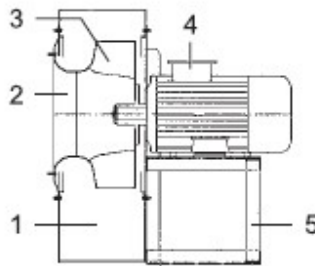
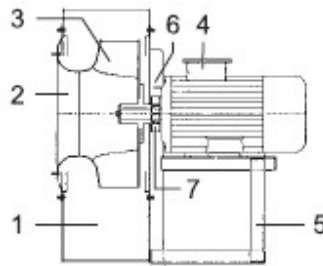


NAME OF THE MAIN COMPONENTS

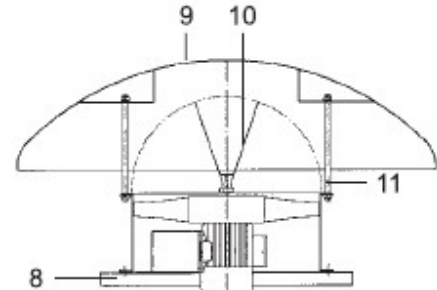
Direct drive execution



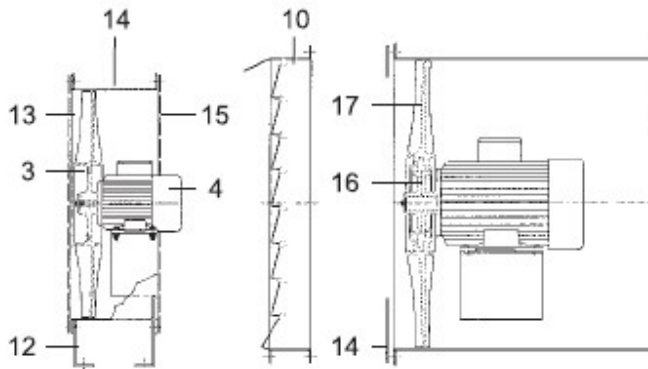
Execution 4



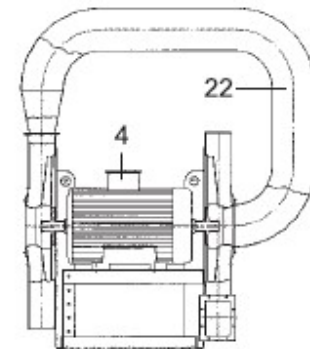
Execution 4



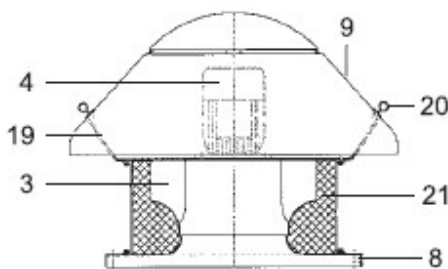
Execution 4



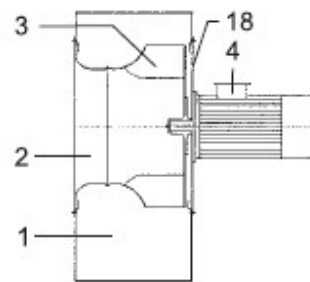
Execution 4



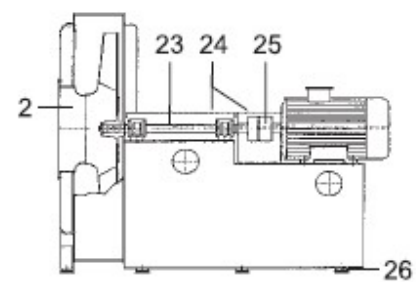
Execution 4



Execution 5



Execution 5



Execution 8
 (direct transmission with joint)

LEGEND

- | | | |
|---------------------------|------------------------------|------------------------------------|
| 1) Case | 10) Gravity shutter | 19) Motor holding base B5 |
| 2) Nozzle | 11) Tie rods | 20) Motor holding base B5 eyebolts |
| 3) Impeller | 12) Support feet | 21) Protection net |
| 4) Motor | 13) Impeller side protection | 22) Connection piping |
| 5) Base | 14) Suction counterflange | 23) Support |
| 6) Cooling fan protection | 15) Motor side protection | 24) Protection case |
| 7) Cooling fan | 16) Semi-hubs | 25) Semi-elastic joint |
| 8) Anchoring base | 17) Blades | 26) Shock isolating mountings |
| 9) Cover | 18) Base plate | |

Indirect drive execution

